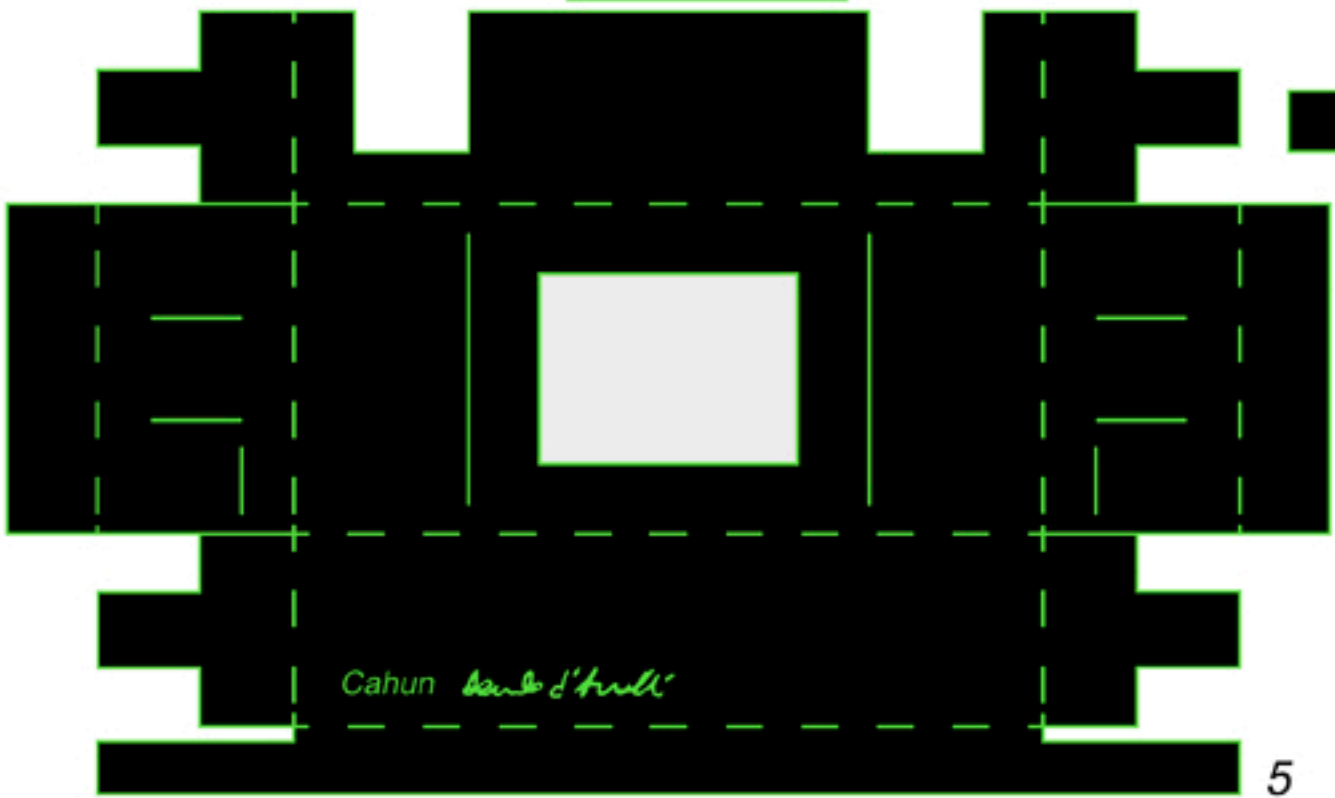


1

✳	✂	✂	✂	✂	✂	✂	✂
100 asa	1 sec	3 sec	14 sec	150 asa	200 asa	400 asa	
1 sec	1 sec	1 sec	6 sec	63sec			
1 sec	1 sec	1 sec	3 sec	27sec			

— cutlines
- - - score lines

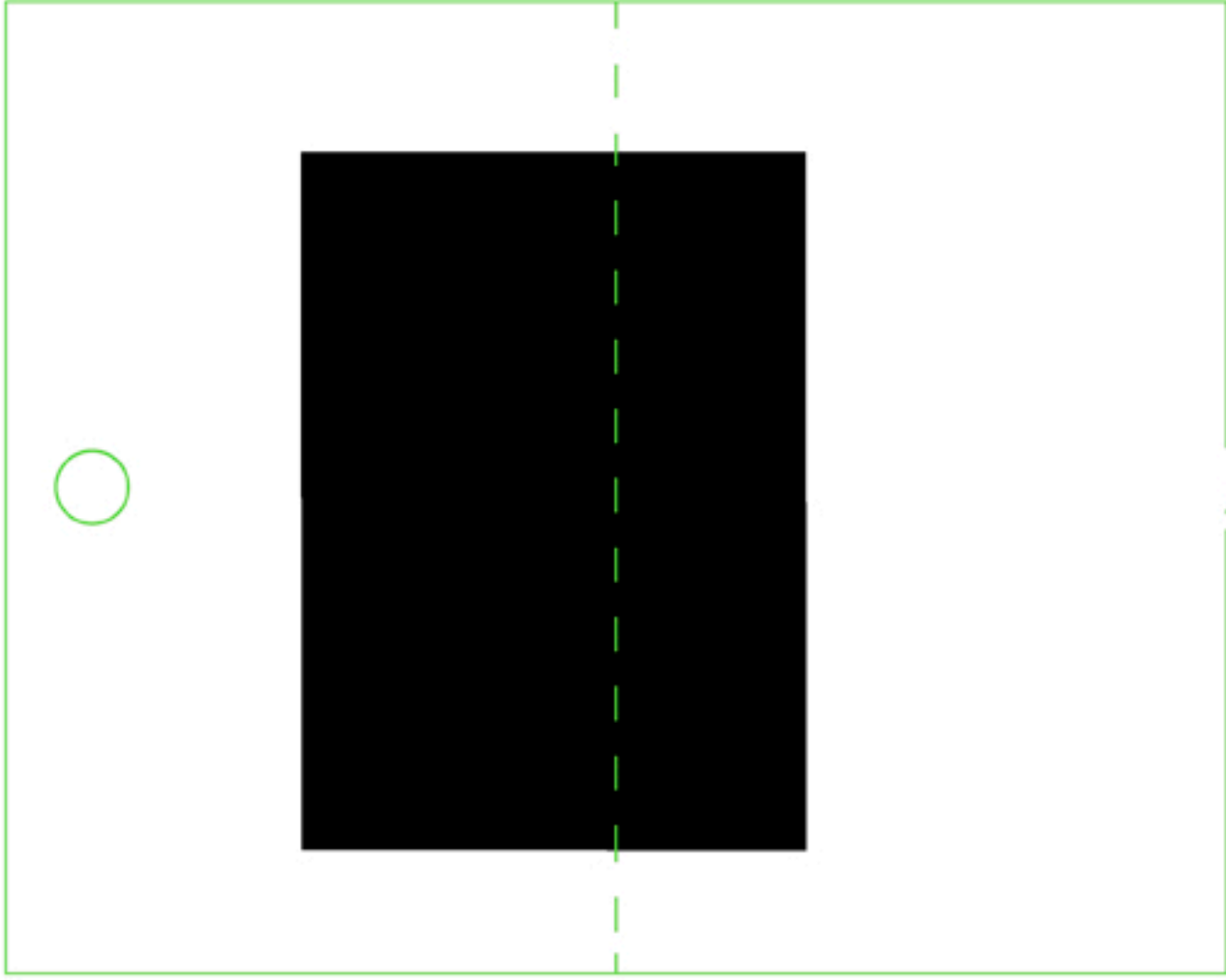


5

Cahun *bande d'arrili'*

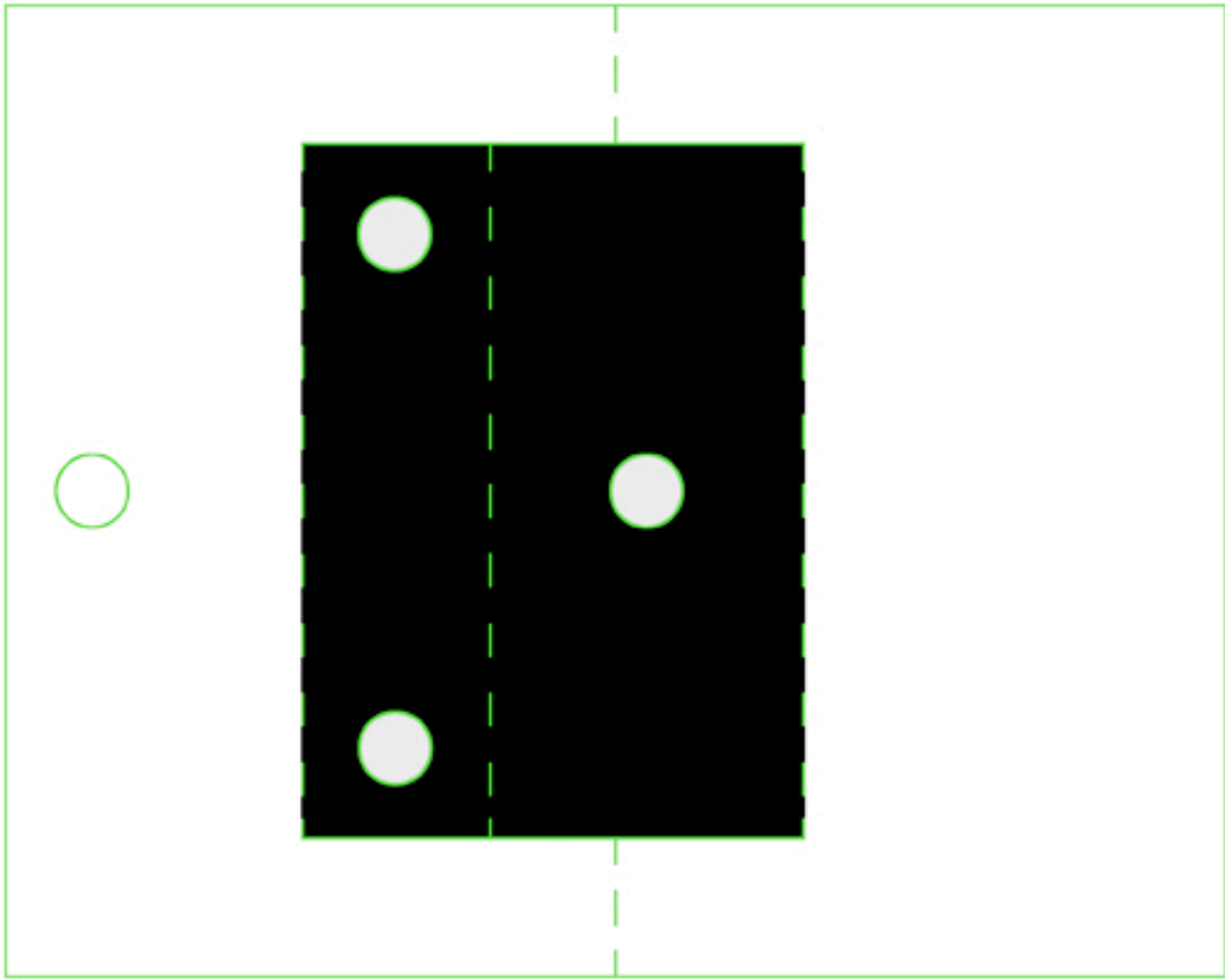


2



4

Cahun *bande d'arrili'*



3

Pinhole experience

I WAS BORN TO HELP YOU REALIZING CAHUN!
 AT THE END, PLEASE, FORGET ME!

STEP 1 YOU NEED...

TIME! ... of course

SCISSORS

RITHMIC

pin

GLUE

A NEW FILM & AN OLD ONE

DIED STROKE & CAN

LOVE (THE MOST IMPORTANT)

STEP 2 CUT THE FIGURES 1, 2, 3, 4, 5 ...

...ALONG THE PERIMETER & THE SOLID LINES INTERNAL TO THEM

CUT WHITE CIRCLES TO FORM HOLES ...

...AND FOLD THE DOTTED LINES!

STEP 3 ENGAGE THE FIGURE NO2 BETWEEN THE CUT LINES OF THE NO1

MOVE IT! (IT WILL BE YOUR CLICK)

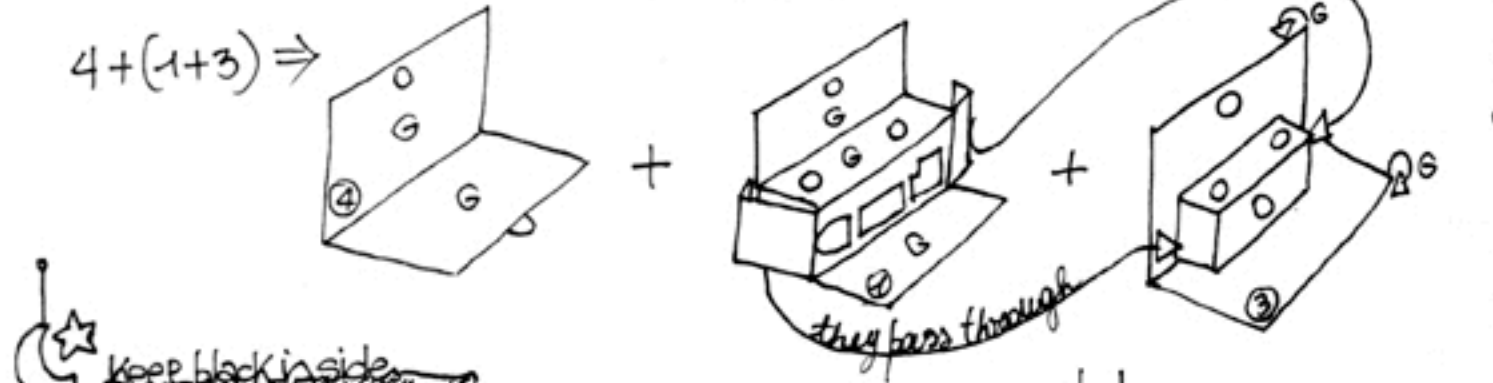
take care of the hole:
 • cut the can to form a small square
 • use the pin for your pinhole
 • paste the square behind the hole of fig. n°1

THE PINHOLE!

STEP 4 START TO ASSEMBLE

1 2 3 4

HEY! SWITCH OFF THE LIGHT!!!



Keep black inside

HEY! SWITCH OFF THE LIGHT!!!

STEP 5 ASSEMBLE FIGURE N°5 TO FORM A BOX (remember black inside)



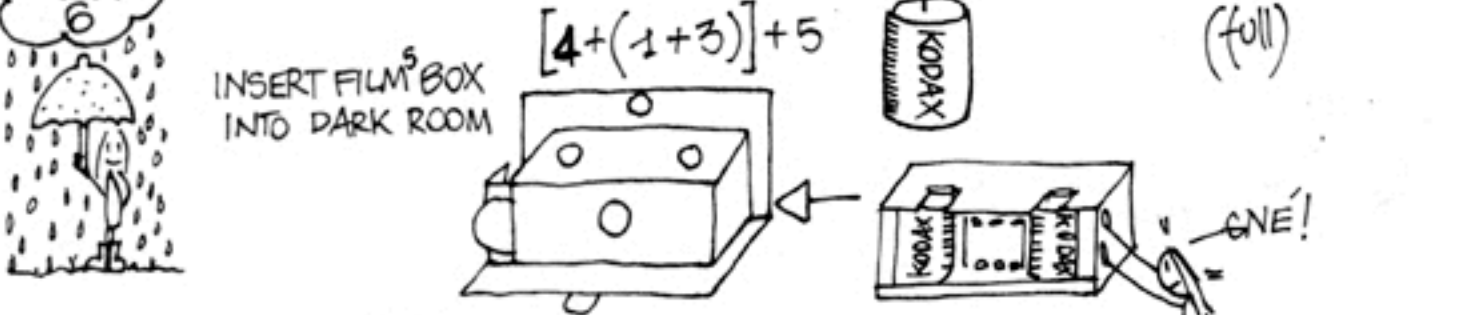
STEP 6 How to assemble the films inside box

INSERT FILM BOX INTO DARK ROOM

$[4 + (1+3)] + 5$

USE A KEY: TURN ON THE RIGHT AT EVERY CLICK

USE A KEY: TURN ON THE LEFT AND GET FILM TO INVOLVE!



WHEN YOU DON'T USE CAHUN ...

... CLOSE IT!

IT'S THIN!

BYE BYE!
 ...and forget me!



LOVE PRODUCT ©12. Umamochi Isidoro
 drawings by Alessandra Isidoro

LOVE PRODUCT ©12

drawing by Alessandra Isidoro